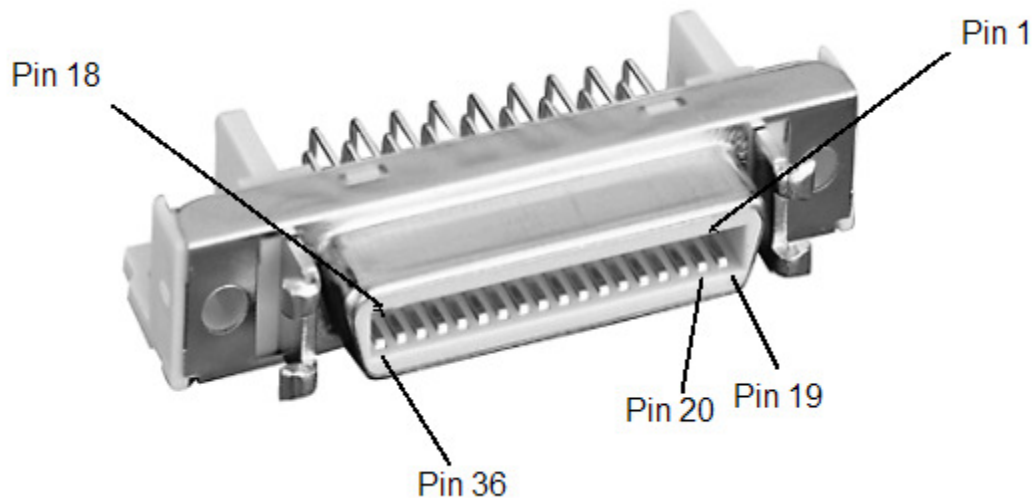


Pinout of 36-pin MDR connector for 32-bit digital input option of Deuteron STX-4 synchronizing transceiver

The connector used in the transceiver box is part number 10236-55G3PC made by 3M. The pin numbers for this are defined in the data sheet for this connector that can be downloaded here: <https://multimedia.3m.com/mws/media/223480/3mtm-mdr-050-bm-thru-hole-ra-receptacle-shielded-ts0621.pdf>



Pin number	Function	Comment	Pin Number	Function
1	Ground		19	Input bit 16
2	VDD	3.3V	20	Input bit 17
3	Input bit 0	Same as IN1 BNC	21	Input bit 18
4	Input bit 1	Same as IN2 BNC	22	Input bit 19
5	Input bit 2	Same as IN3 BNC	23	Input bit 20
6	Input bit 3	Same as IN4 BNC	24	Input bit 21
7	Input bit 4		25	Input bit 22
8	Input bit 5		26	Input bit 23
9	Input bit 6		27	Input bit 24
10	Input bit 7		28	Input bit 25
11	Input bit 8		29	Input bit 26
12	Input bit 9		30	Input bit 27
13	Input bit 10		31	Input bit 28
14	Input bit 11		32	Input bit 29
15	Input bit 12		33	Input bit 30
16	Input bit 13		34	Input bit 31
17	Input bit 14		35	Not connected
18	Input bit 15		36	Ground

The VDD provides an 3.3V DC supply to bias external switches. This line does not have full overload protection, so a short circuit on this line may cause the transceiver to stop functioning. The maximum load for VDD is 50mA.